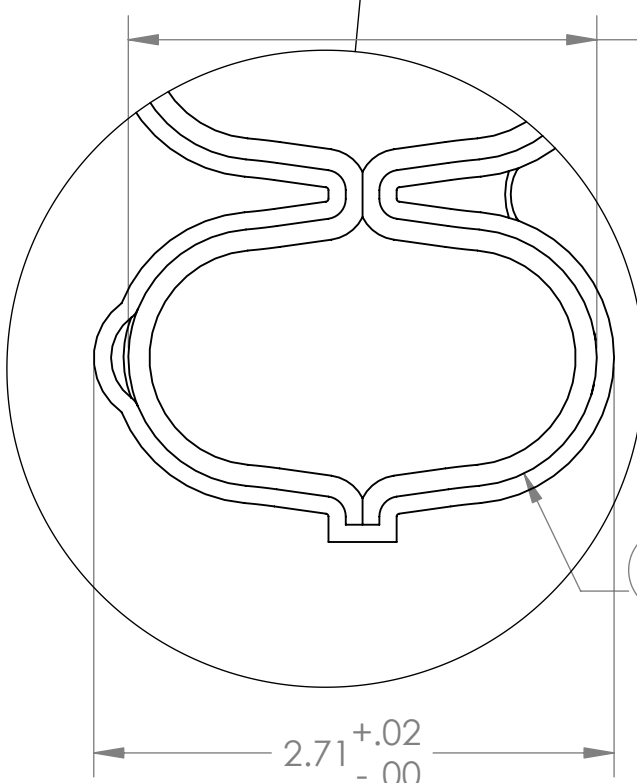
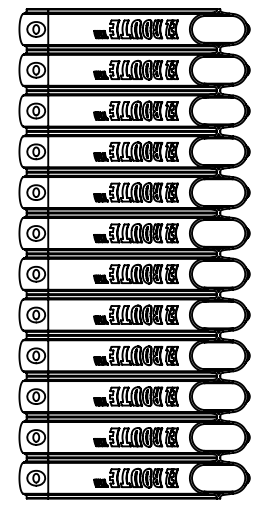
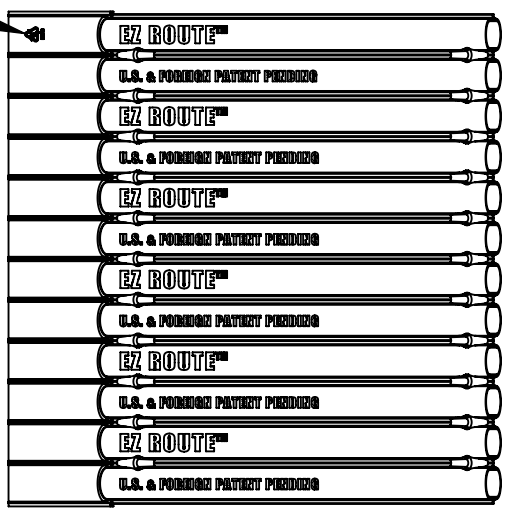


D
C
B
A

D
C
B
A

PLACE SYMBOL APPROX. WHERE SHOWN

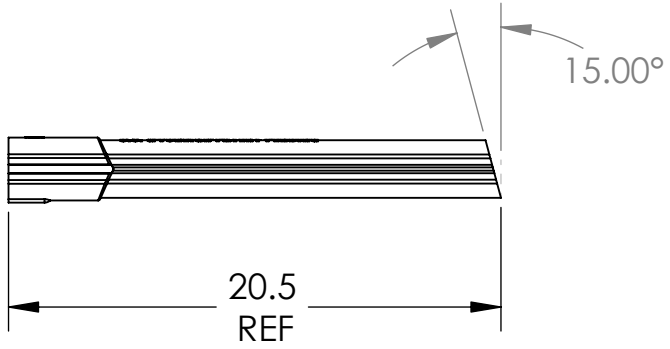


$2.440^{+.020}_{-.000}$

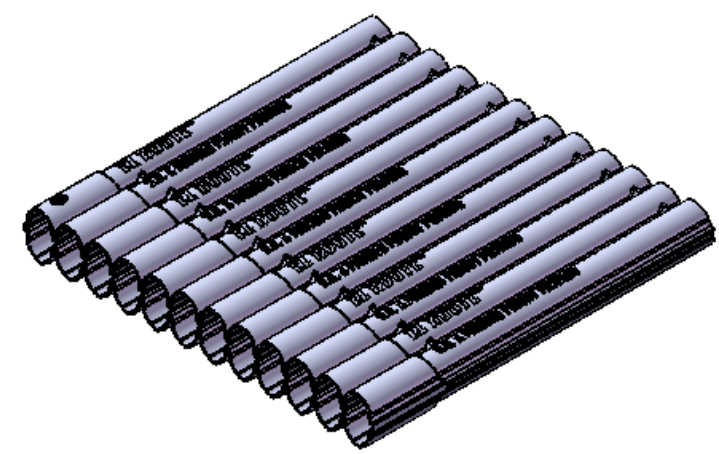
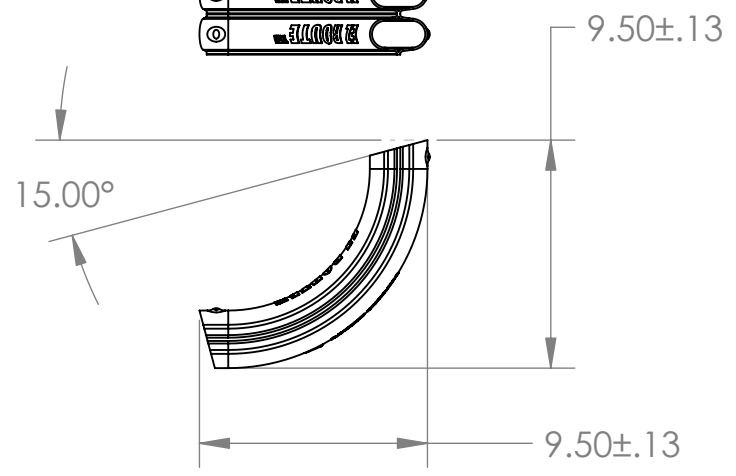
$R.67^{+.02}_{-.00}$
2 PLACES

$2.71^{+.02}_{-.00}$

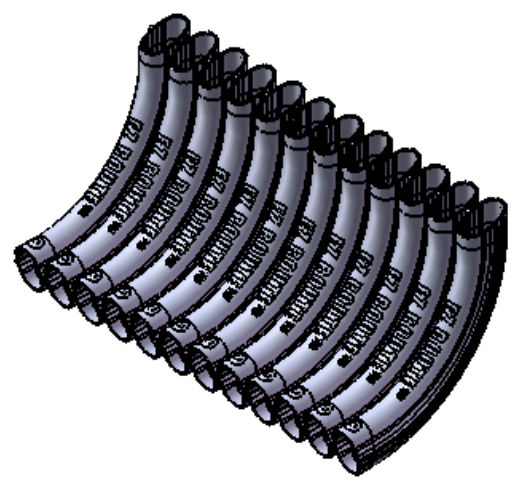
DETAIL C
SCALE 1 : 1



UNRELEASED



7101-02



7101-03

PROPRIETARY AND CONFIDENTIAL
THE INFORMATION CONTAINED IN THIS DRAWING IS THE SOLE PROPERTY OF GREG CAREW. ANY REPRODUCTION IN PART OR AS A WHOLE WITHOUT THE WRITTEN PERMISSION OF GREG CAREW IS PROHIBITED.

UNLESS OTHERWISE SPECIFIED: DIMENSIONS ARE IN INCHES TOLERANCES: FRACTIONAL ± ANGULAR: ±1° TWO PLACE DECIMAL ±.01 THREE PLACE DECIMAL ±.005		TITLE: EZ ROUTE	
MATERIAL SEE NOTES	SIZE B	DWG. NO. 7101-XX	REV D
DO NOT SCALE DRAWING		SCALE: 1:8	WEIGHT: SHEET 2 OF 2